

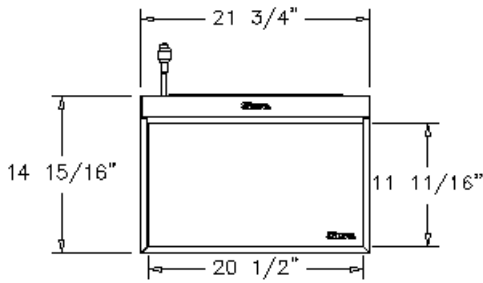
Shuresafe® Model 672300 “Big Reach” Security Drawer



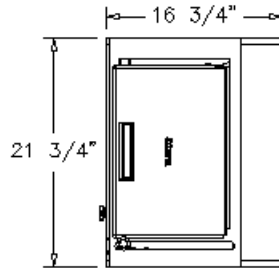
Product Description

- ✓ **UL® Approved** for LVL 1 Bullet Resistance.
- ✓ Designed for maximum operator safety and customer convenience.
- ✓ **New! Interlocking lid cover prevents direct physical contact between the operator and customer.**
- ✓ Level 3 ballistic faceplate insert for additional protection.
- ✓ Push-to-operate handle incorporates a self-contained locking mechanism.
- ✓ Rear wall of transfer bucket fits against top in the extended position.
- ✓ Large unobstructed transfer area handles large items.
- ✓ Easy reach design allows quick access for walk-up, drive-up customers or mobility-impaired customers.

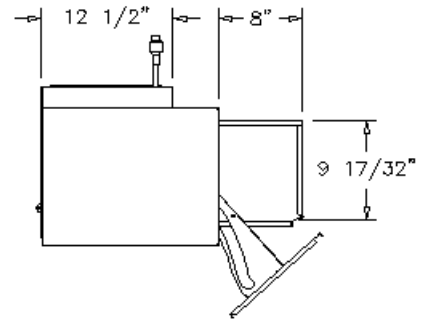
FRONT VIEW



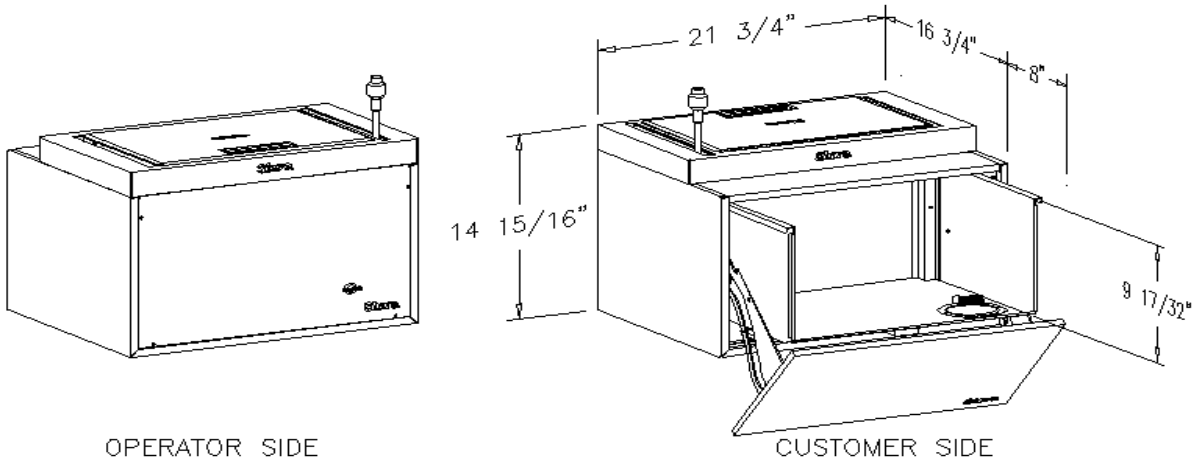
TOP VIEW



SIDE VIEW



Model	Overall Size			Frame Face		Transfer Area			Wall Opening		Wt.	Features
	W	H	L	W	H	W	H	L	W	H		
672300	21 3/4"	14 15/16"	16 3/4"	21 3/4"	12 15/16"	18 15/64"	9 1/2"	14 9/32"	22"	13 1/4"	65 lbs.	Right Hand Operation
672301	21 3/4"	14 15/16"	16 3/4"	21 3/4"	12 15/16"	18 15/64"	9 1/2"	14 9/32"	22"	13 1/4"	65 lbs.	Left Hand Operation



OPERATOR SIDE

CUSTOMER SIDE