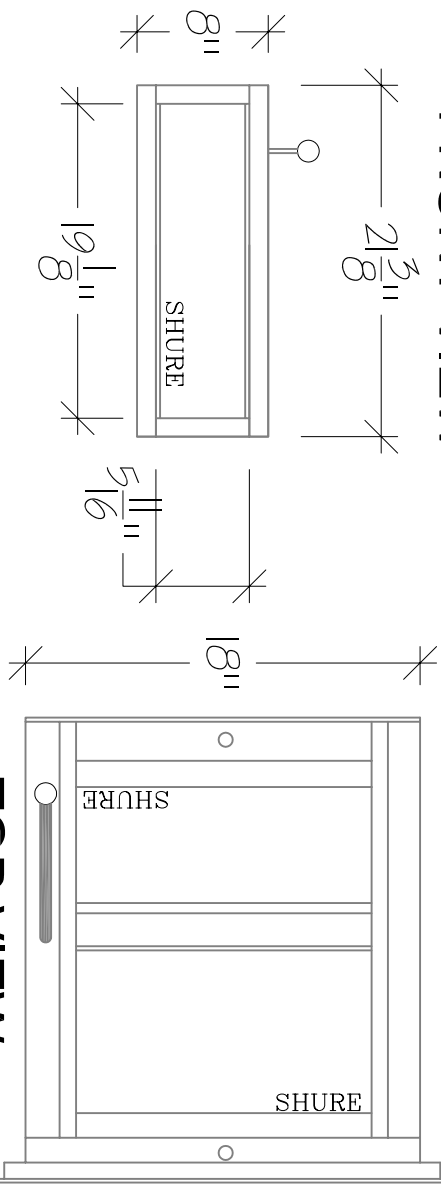
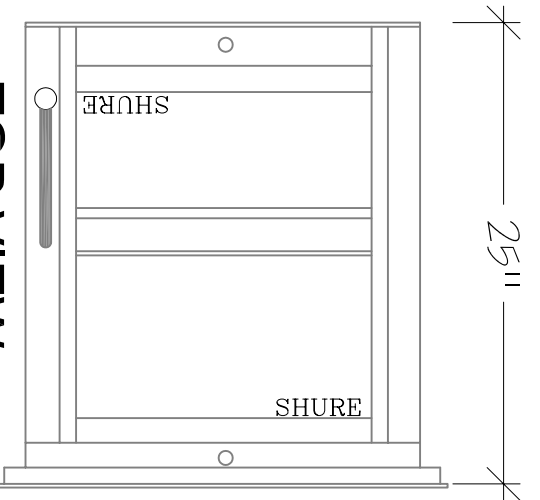


*** NOT TO BE DISTRIBUTED OR COPIED WITHOUT PRIOR CONCENT OF PACIFIC BULLETPROOF ***

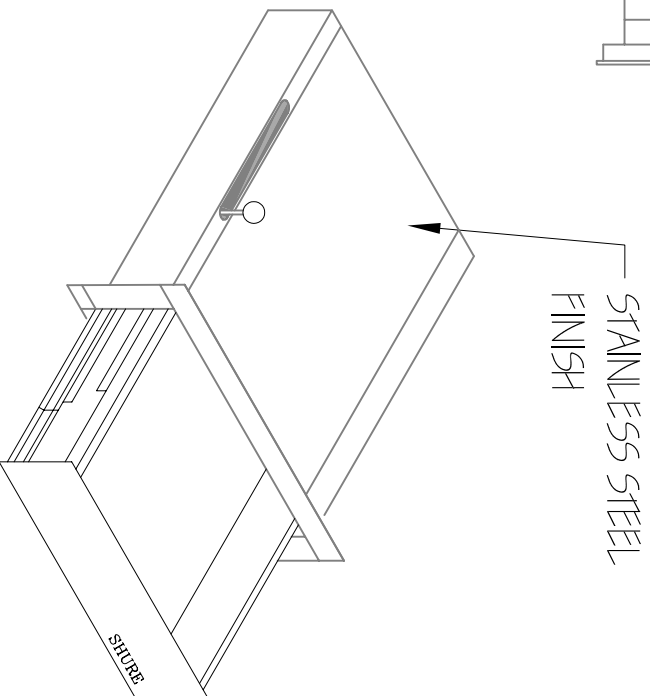
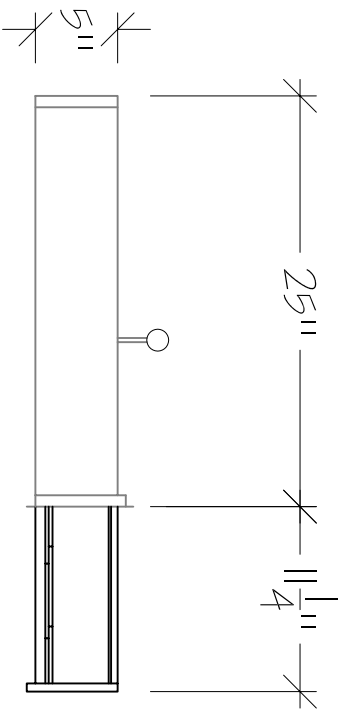
FRONT VIEW



TOP VIEW



SIDE VIEW



PART #: PBSDD670160

CUSTOMER APPROVAL:

CUSTOMER SIGNATURE

DATE

MANAGER APPROVAL:

PACIFIC BULLETPROOF SIGNATURE

PACIFIC BULLETPROOF CO.

Specializing in Ballistic Products & Systems
 4035 Leaverton Court, Anaheim, Ca. 92807
 www.pacificbulletproof.com Tel. (714)630-5447 Fax (714)630-5314

Project Name:

SHURE DRAWER
 #670160 DOUBLE-HINGED
 BULLET RESISTANT PANEL INSTALLATION

Revision:

Revision:
 Revision:

Drawn By: TC

Scale: NTS
 Date: 08/21/06

Sheet No.

PW

*** NOT TO BE DISTRIBUTED OR COPIED WITHOUT PRIOR CONCENT OF PACIFIC BULLETPROOF ***