

DROP-IN DEAL TRAY WITH FLIP LID

FEATURES:

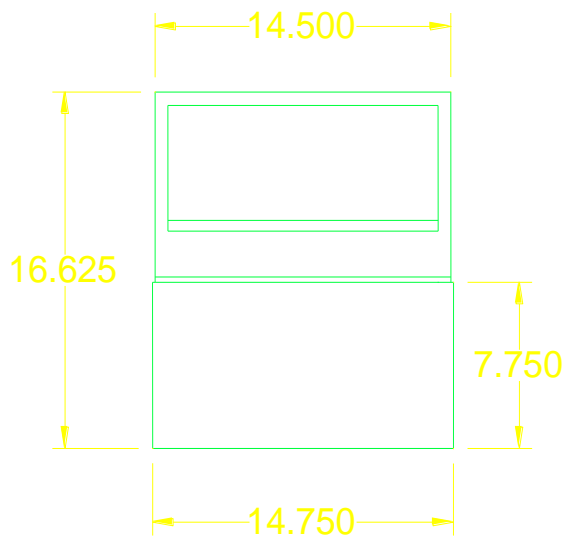
- 14 3/4" wide x 16-5/8" deep x 2-3/4" high
- 18 gage stainless steel brushed finish
- 1" flange for easy installation

INSTALLATION:

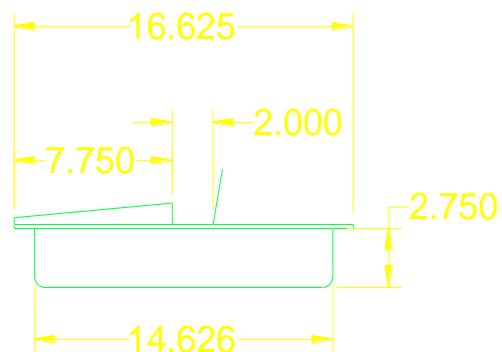
This deal tray is designed to be installed into counter tops, installation is as simple as cutting a rectangular opening in the counter top and dropping in the tray that meets your needs. This tray is for exterior use. The slanted lid on the customer side of the window helps keep the inside of the tray dry. Downward push on the rear pull opens deal tray to customer. Unit can handle items as large as a cigarette carton.

SPECIFICATIONS:

- **HARDWARE:**
All teller counters are to be provided with all the necessary components and hardware needed for installation.
- **FINISH:**
All aluminum hardware, components, and accessories will be finished per the customer's specification.
- **CONSTRUCTION:**
All hardware and components will be completely prefabricated and ready for fast installation.



PLAN VIEW



SECTION VIEW