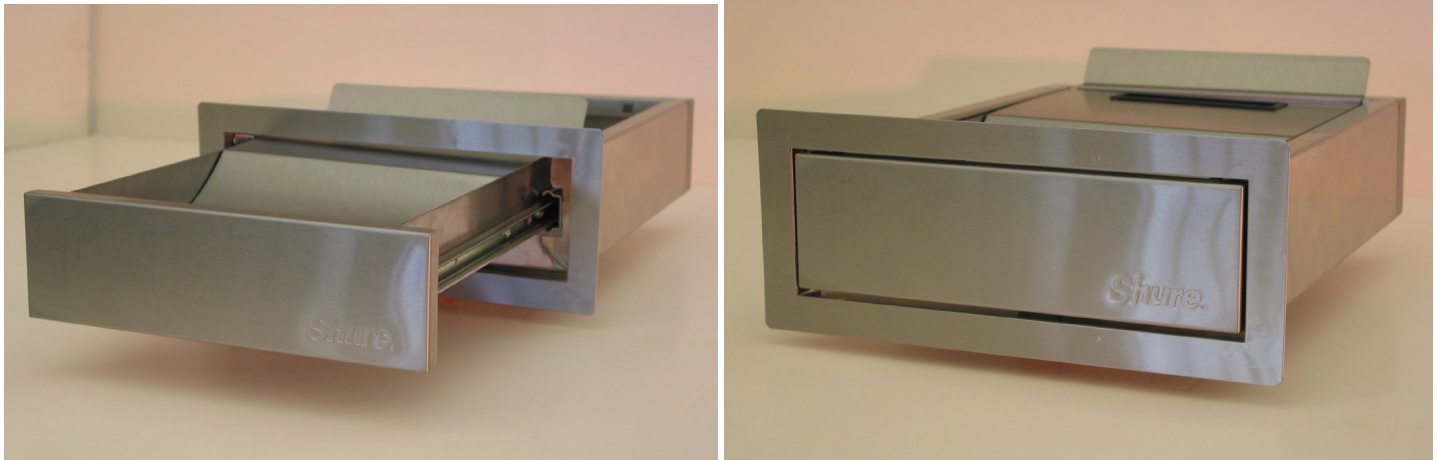
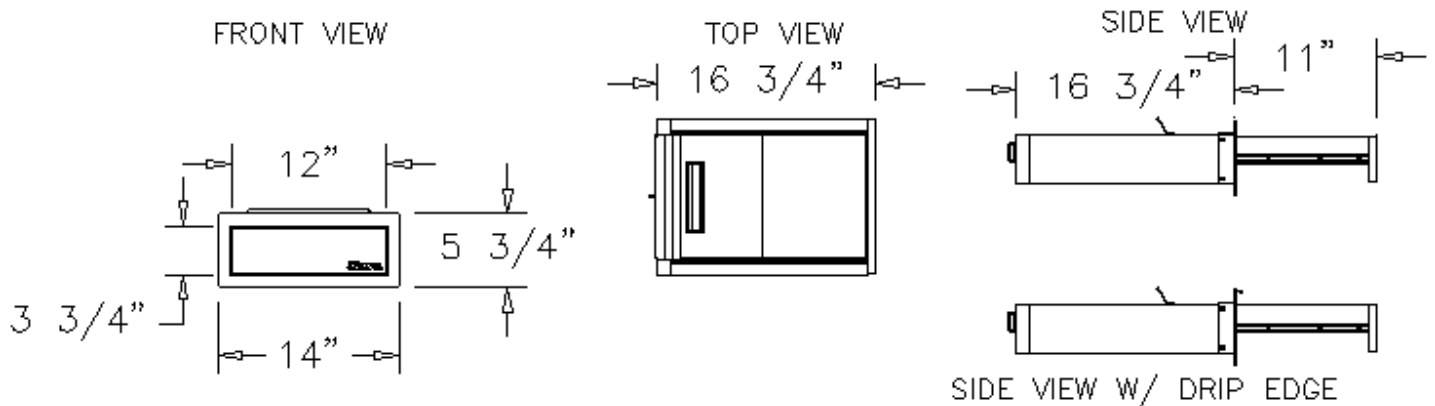


## Shuresafe® Model 672351 Extending Deal Tray w/ Trim Kit



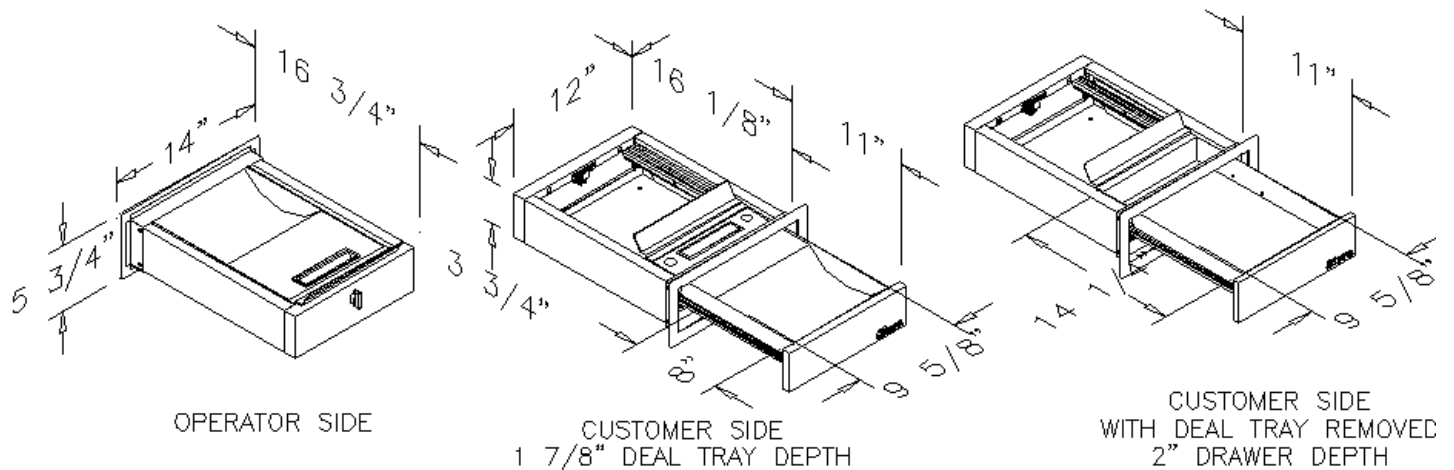
### Product Description

- ✓ The economical security solution for cashier windows, ticket windows, outdoor payment kiosks and other high-risk areas with low profile transfer requirements.
- ✓ Suitable for walk-up or drive-thru applications in interior and exterior environments.
- ✓ Features an extending tray housing with a deal tray for installation in countertops with a window above, in kiosks or through standard interior or exterior walls.
- ✓ The removable deal tray has a curved interior for easy coin and currency removal and a currency clip for securing paper currency and materials.
- ✓ The face of the extending tray is equipped with a UL® Level 3 bullet resistant insert for extra security in the closed position.
- ✓ Units are finished in brushed stainless steel and shipped assembled.



Model	Overall Size			Frame Face		Transfer Area			Wall Opening		Wt.	Features
	W	L	H	W	H	W	H	L	W	H		
672351	12"	16 3/4"	3 3/4"	14"	5 3/4"	9 5/8"	1"	5 1/2"	12 1/16"	3 13/16"	24 lbs.	Removable Deal Tray with UL® LVL III Faceplate Insert

## Shuresafe<sup>®</sup> 672351 Extending Deal Tray w/Trim Kit Line Drawing and Specifications



### Architectural / Engineering Specification

#### Shuresafe<sup>®</sup> 672351 Extending Deal Tray w/Trim Kit

**General Specifications:** Furnish and install an Extending Deal Tray, 12"W x 16 3/4"L x 3 3/4"H, Model 672351, with 14"W x 5 3/4"H Trim Kit and UL<sup>®</sup> Approved Level 3 Bullet Resistant Material for ballistic protection as manufactured by Shure Manufacturing Corporation, Washington, MO., phone 800.227.4873, facsimile 636.390.7171.

**Product Specifications:** The deal tray shall be stainless steel construction in a 12"W x 16 3/4"L x 3 3/4"H lockable chassis, capable of extending at least 11" beyond the closed position and suitable for mounting in a counter or through a wall opening secured by the 14"W x 5 3/4"H Trim Kit. The faceplate of the drawer shall contain a UL<sup>®</sup> Approved Level 3 Bullet Resistant Material for ballistic protection. The wall opening shall be 12 1/16"W x 3 13/16"H or the counter top cut out shall be 12 1/16"W x 16 3/4"L x 3 13/16"D. The interior transfer area shall contain a removable deal tray that, when removed, reveals an extending transaction drawer 9 5/8"W x 14 3/8"L x 2"D. The removable deal tray shall measure 9 5/8"W x 14 3/8"L x 2"D with curved interior angles for easy coin, currency and paper removal. The interior transfer area of the deal tray shall contain a currency clip to secure currency, or small paper items (tickets, coupons, etc.) during operation.

**Assembly and Installation Specifications:** Assemble, install and clean the frame in accordance with Shure Manufacturing Corporation instructions.

**Operating Instructions:** Place and remove small or low profile products in the dip tray, and secure any paper currency under the spring clip, prior to operating the drawer. Remove, by lifting from the rear, the dip tray to transfer larger items in the extending drawer.

**Cleaning and Maintenance Instructions:** Clean any spilled liquids immediately with mild soap and water. Non-Abrasive Stainless Steel Cleaner and Polish should be used as necessary (at least once-a-week) to remove water spots, streaks and fingerprints and to protect the interior and exterior finish. Follow the polish manufacturer's instructions and wipe along the grain of the metal surface. Visually and physically check the drawer interior and housing daily and tighten loose fastenings. Remove any items that may have fallen into the extending drawer housing.