

EXTERIOR ROTARY PACKAGE RECEIVER



www.pacificbulletproof.com

FEATURES:

- Mounts on counter top or in wall opening
- Available in 4 sizes
 - 15" wide x 12" high x 11-5/8" deep
 - 18" wide x 20" high x 11-7/8" deep
 - 24" wide x 18" high x 18 deep
 - 26" wide x 18" high x 19-5/8" deep

INSTALLATION:

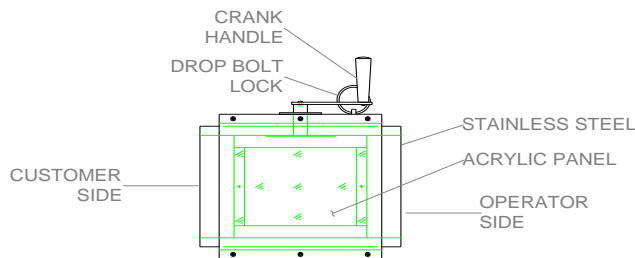
This exterior package receiver is equipped with a weather-strip for outdoor use, eliminating direct entry of outside air into the building. The unit has stainless steel sides and inner drum with a clear acrylic window for viewing contents. Only on moving part - inner drum - rotates with smooth movement. Crank handle on top turn 180 degrees. The unit locks with a drop bolt. In lock position the drum is turned to customer for maximum security.

BULLET RESISTANT GLAZING MATERIAL:

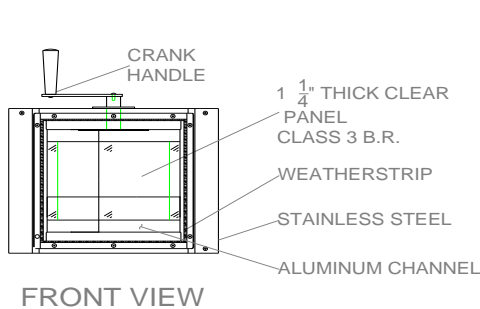
- Bullet Resistant Acrylic Level 1 1-1/4" Uncoated & coated
- Bullet Resistant Polycarbonate Level 1 3/4" BR750 Laminate
- Bullet Resistant Acrylic Level 2 1-3/8" Coated
- Bullet Resistant Polycarbonate Level 2 1" BR1000 Laminate
- Bullet Resistant Acrylic Level 3 1-1/4" Coated
- Bullet Resistant Polycarbonate Level 3 1-1/4" BR1250 Laminate

SPECIFICATIONS:

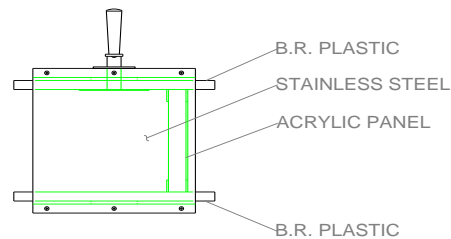
- **GLAZING:**
All glazing will be of a type listed by the Underwriter's Laboratories (UL), Standards 752 for bullet resistance.
- **HARDWARE:**
All teller counters are to be provided with all the necessary components and hardware needed for installation.
- **FINISH:**
All aluminum hardware, components, and accessories will be finished per the customer's specification.
- **CONSTRUCTION:**
All hardware and components will be completely prefabricated and ready for fast installation.



SIDE VIEW W/ DROP BOLT LOCK INSTALLED



FRONT VIEW



SIDE VIEW