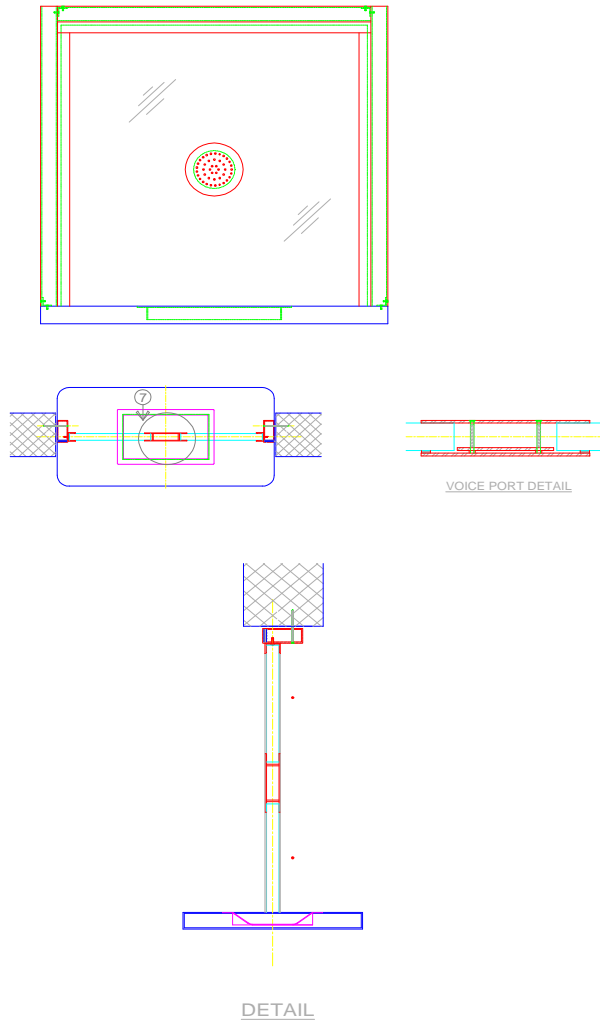




-PBETW- EXTERIOR TRANSACTION WINDOW



RECOMMENDED USES

Cash payment windows
 Reception/Interview windows
 Ticket windows

AVAILABLE SIZES

Standard Sizes		
24" x 36"	30" x 36"	30" x 42"
36" x 36"	36" x 42"	48" x 36"
48" x 42"	60" x 36"	60" x 42"
72" x 42"	72" x 36"	

GLAZING MATERIAL OPTIONS

Level 1	1-1/4" Acrylic 1-1/4" SAR Coated Acrylic 3/4" Lexgard MP750 1-3/16" BR Glass
Level 2	1-3/8" Acrylic Glass Clad Polycarbonate
Level 3	1-1/4" Polycarbonate Glass Clad Polycarbonate

INSTALLATION DETAILS

Finished opening should be 1/4" wider & 1/4" higher than the size of the unit.

- 1) Unit installed into a finished opening in the wall sized to fit the standard PBETW Window.
- 2) Place a preframed PBETW Window opening, shim much as necessary and attach sides to existing wall with screws, using anchors if the wall is masonry.
- 3) Apply finish trim molding that can be obtained locally, and installation is complete.

Units can be easily attached together for multiple stations

FEATURES

Available in bronze or clear anodized
 Stainless steel base
 Flip lid cash tray is available as an option
 Delivered assembled & ready for installation
 Ships within 1 to 2 weeks
 Electronic speak thru available as an option
 For interior applications
 For U.L. 752 levels 1, 2, & 3



-PBETW- EXTERIOR TRANSACTION WINDOW

HANDLING INFORMATION

HANDLING:

Safety and care should be exercised during shipping and handling to maintain transaction window appearance.

APPLICATION:

Remove unit from protective container just prior to installation. Care and safety should be exercised when installing window to insure that the installation is level, square, plumb, and secure.

STORAGE:

Store product upright in a dry, well ventilated building or area at a consistent temperature. Do not store in damp areas or areas that are freshly plastered. Place product unit on wood blocks at least 2" high to prevent any moisture damage.

CUSTOMER SERVICE

Pacific Bulletproof Co. maintains a complete staff of professional and experienced installers, sales representatives, engineers, designers, project estimators, and craftsman that are all ready to assist in all of the phases of your bullet resistant projects. From the initial design to the installation process. Contact your local representative for assistance for all your bullet resistant needs.

SPECIFICATIONS

A. WINDOW CONSTRUCTION

- 1) This unit has an aluminum tubular deep capture frame with a plastic laminate base, recessed deal tray. Voice transmission is thru a stainless steel talk thru. This unit is for exterior use only.
- 2) Standard base construction is stainless steel base.
 - a) Deal tray is to be stainless steel, recessed and mortised into the laminate.

B. WINDOW GLAZING

- 1) All glazing materials shall be of a type listed by the Underwriters Laboratories for bullet resistance and/or to be tested by the H.P. White Laboratory for specified bullet resistance.
- 2) Bullet resistance protection level shall be specified by the end user and be consistent with threat level.