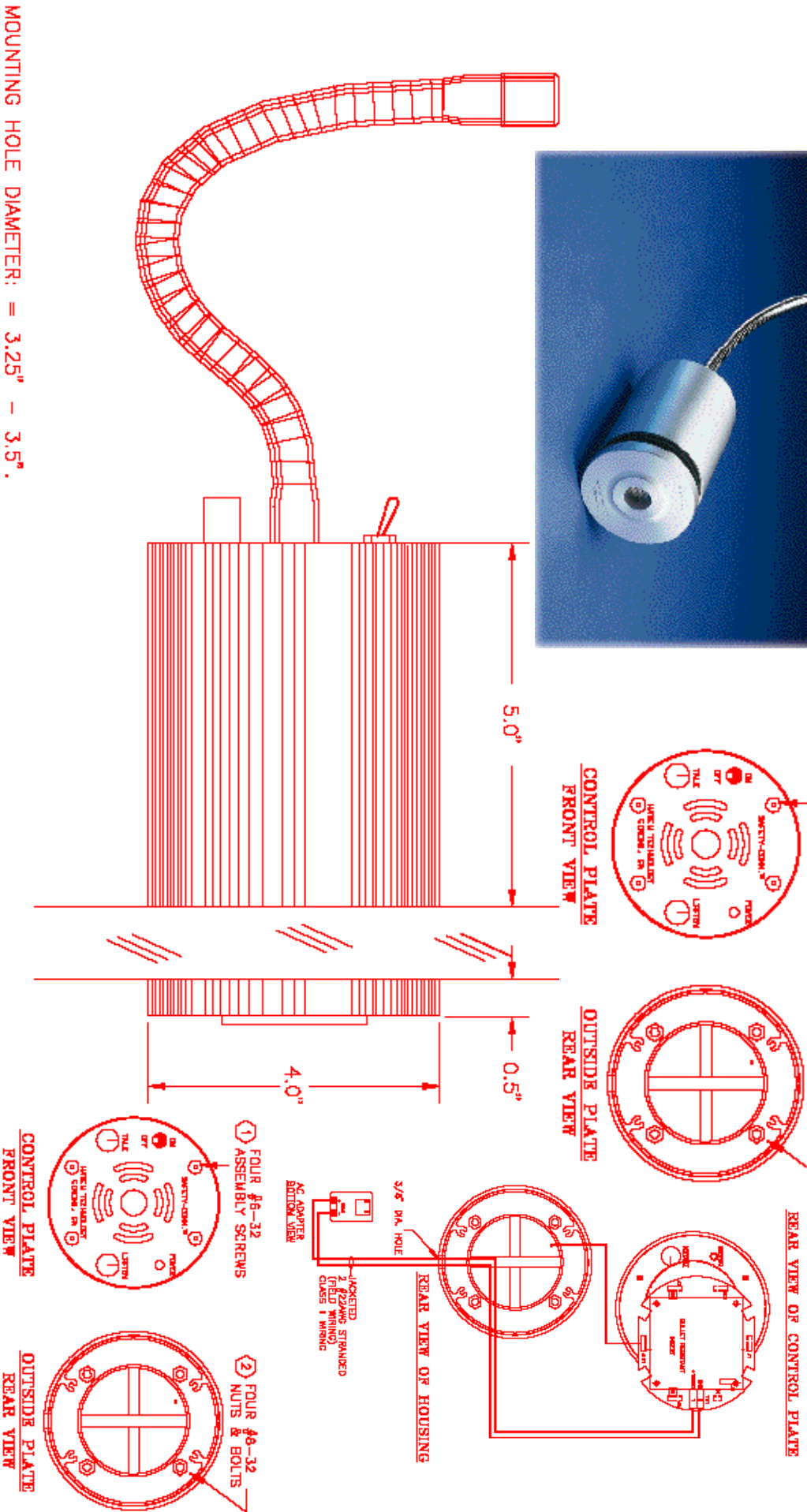




PART #: PBSC100

FIGURE 2



MOUNTING HOLE DIAMETER: = 3.25" - 3.5".

CUSTOMER APPROVAL:

CUSTOMER SIGNATURE

DATE

MANAGER APPROVAL:

PACIFIC BULLETPROOF SIGNATURE

PACIFIC BULLETPROOF CO.

Specializing in Ballistic Products & Systems
 4035 Leavenworth Court, Anaheim, Ca. 92807
 www.pacificbulletproof.com Tel. (714)630-5447 Fax (714)630-5314

Project Name:	SC100 INTERCOM BULLET RESISTANT PANEL INSTALLATION
---------------	--

Revision:	
Revision:	
Revision:	

Drawn By:	TC
Scale:	NTS
Date:	08/21/06

Sheet No.	PW
-----------	----