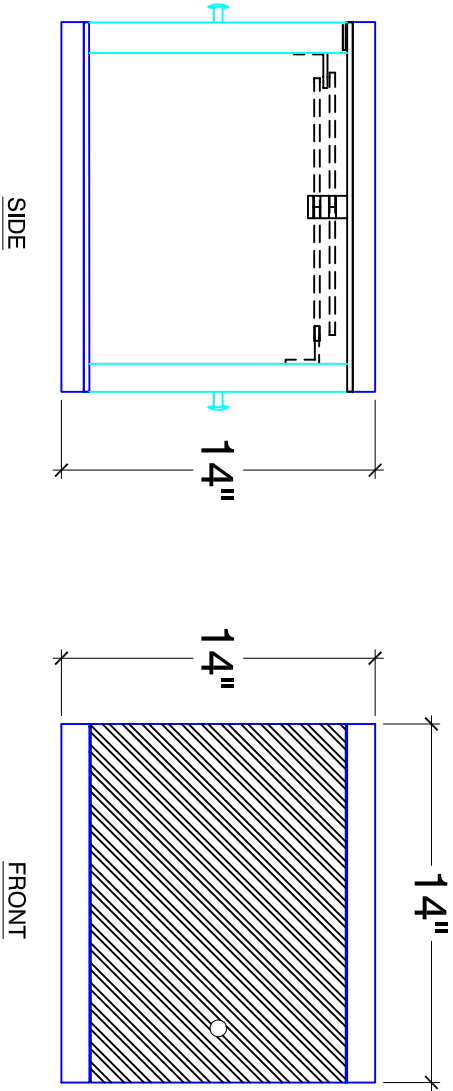
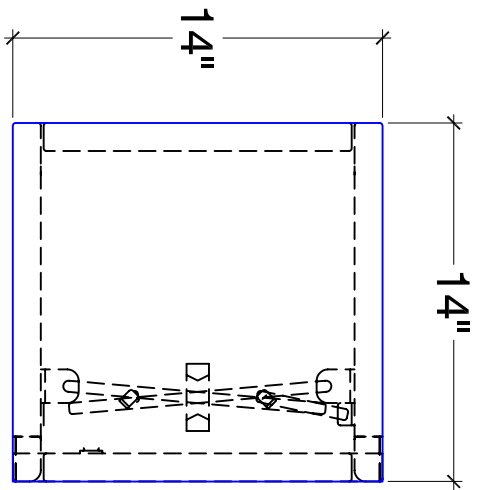
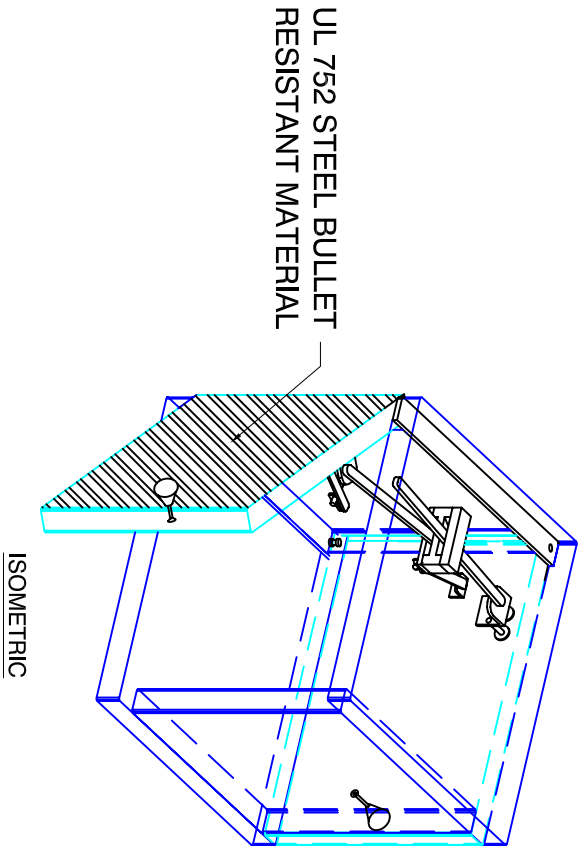


*** NOT TO BE DISTRIBUTED OR COPIED WITHOUT PRIOR CONCENT OF PACIFIC BULLETPROOF ***

PART # : PBSPPR
PROTECTION LEVEL: 1,3



NOTES:
OTHER SIZES AVAILABLE

CUSTOMER APPROVAL:

CUSTOMER SIGNATURE

MANAGER APPROVAL:

DATE

PACIFIC BULLETPROOF CO.

Specializing In Ballistic Products & Systems
4035 Leavenworth Court, Anaheim, Ca. 92807
www.pacificbulletproof.com Tel. (714)630-5447 Fax (714)630-5314

Project Name:

14" X 14" X 14" STEEL
PACKAGE RECEIVER
BULLET RESISTANT PANEL INSTALLATION

Revision:

Revision:
Revision:

Drawn By: TC

Scale: NTS
Date: 08/15/06

Sheet No.

PW

PACIFIC BULLETPROOF SIGNATURE

*** NOT TO BE DISTRIBUTED OR COPIED WITHOUT PRIOR CONCENT OF PACIFIC BULLETPROOF ***