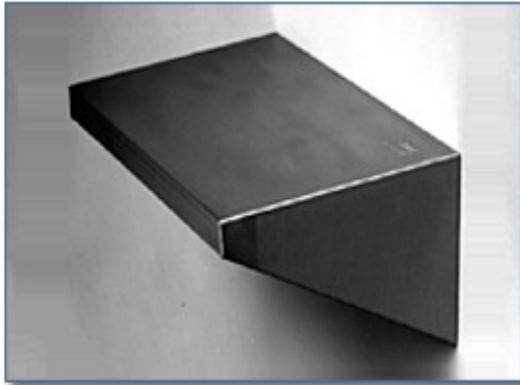
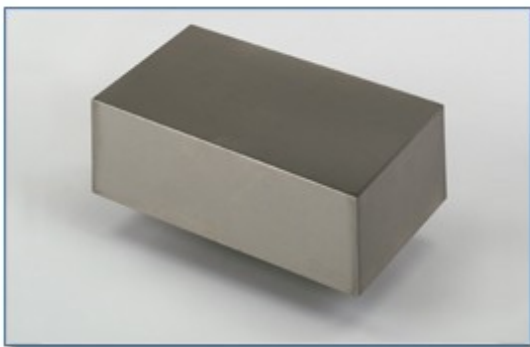


Shuresafe® Customer Convenience Shelves



Model 400146 Product Description

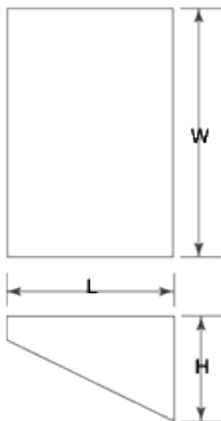
- ✓ Economical writing convenience solution for customer transaction areas
- ✓ Stationary shelf for wall mounted installations
- ✓ Finished in brushed stainless steel with welded seams and rounded corners for a smooth easy maintenance finish
- ✓ Custom sizes available



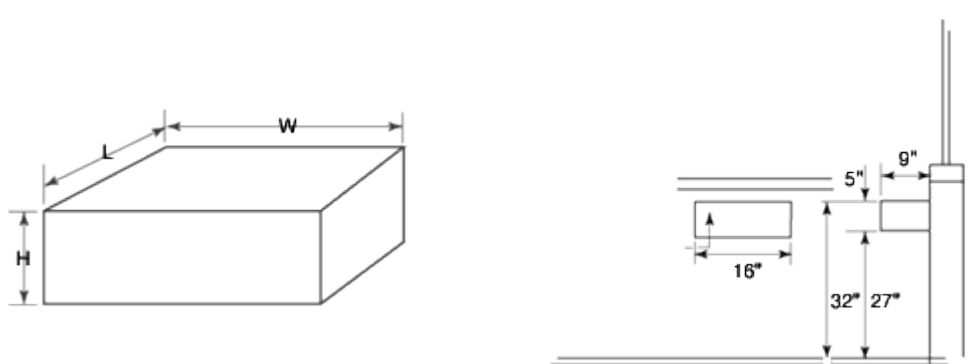
Model 400203 Product Description

- ✓ Convenience solution for customer transaction areas
- ✓ Stationary shelf with specific ADA Approved specifications for wall mounted installations
- ✓ Finished in brushed stainless steel with welded seams and rounded corners for a smooth easy maintenance finish
- ✓ Custom sizes available

Model 400146 Dimensions



Model 400203 Dimensions and ADA Mounting Specifications



| Model | Overall Size | | | Wt. | Features |
|--------|--------------|--------|--------|--------|---|
| | Width | Height | Length | | |
| 400146 | 12" | 5 ½" | 8" | 5 lbs. | |
| 400203 | 16" | 5" | 9" | 8 lbs. | Mounted from floor 27" to bottom of shelf |