

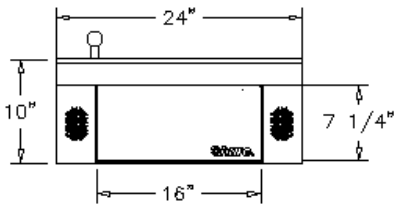
Shuresafe® Model 992217 Extended Pass Thru Security Drawer

Product Description

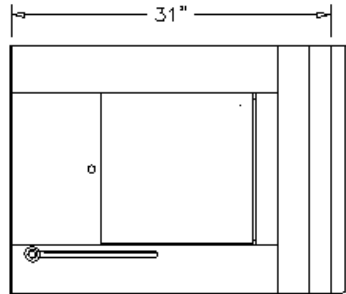


- ✓ Level 3 Bullet Resistance with extended length for installation in 8-inch walls.
- ✓ Large pass-thru area for transferring currency bags, gallon sized containers and bulky objects.
- ✓ Self-opening and closing transaction area cover prevents simultaneous customer and operator access.
- ✓ Engineered and sealed to restrict outside airflow and external environment penetration.
- ✓ Includes one built-in speaker compatible with pre-existing commercial intercom systems.
- ✓ Available with a manual stand-alone intercom system.
- ✓ Units are finished in brushed stainless steel and shipped with some assembly required.

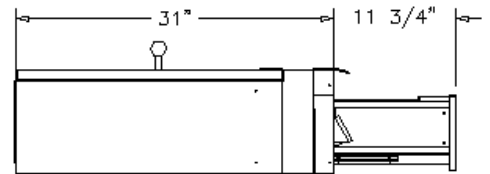
FRONT VIEW



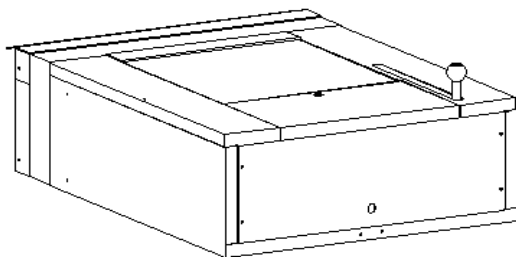
TOP VIEW



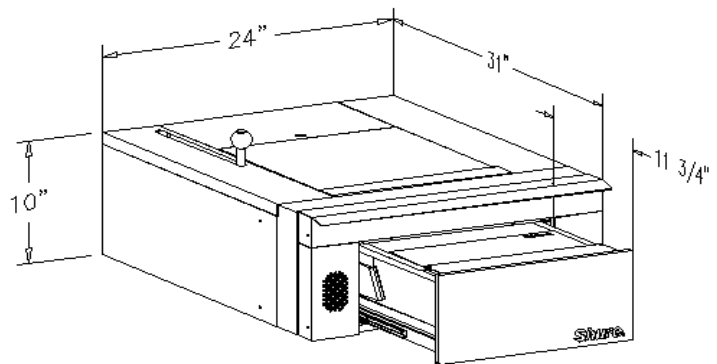
SIDE VIEW



Model	Overall Size			Frame Face		Transfer Area			Wall Opening		Wt.	Features
	W	H	L	W	H	W	H	L	W	H		
992217	24"	10"	31"	26"	11"	13 3/4"	6 1/8"	10 3/8"	24 1/4"	10 1/4"	140 lbs.	For 8" Wall Installation
992217	24"	10"	31"	26"	11"	13 3/4"	6 1/8"	10 3/8"	24 1/4"	10 1/4"	147 lbs.	With Intercom System



OPERATOR SIDE



CUSTOMER SIDE