

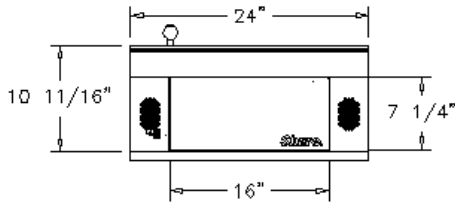
Shuresafe® Model 670330 Pass-Thru Security Drawer

Product Description

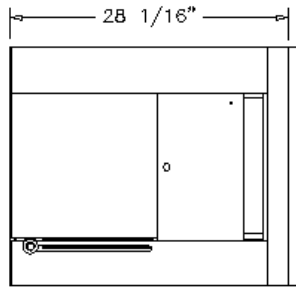
- ✓ Underwriters Laboratories (UL®) Approved for Level 3 Bullet Resistance.
- ✓ Large pass-thru area for transferring currency bags, gallon sized containers and bulky objects.
- ✓ Self-opening and closing transaction area cover prevents simultaneous customer and operator access.
- ✓ Engineered and sealed to restrict outside airflow and external environment penetration.
- ✓ Includes one built-in speaker compatible with pre-existing commercial intercom systems (Caution: units to be installed in high feedback enclosures require an optional feedback suppression speaker).
- ✓ Units are finished in brushed stainless steel.



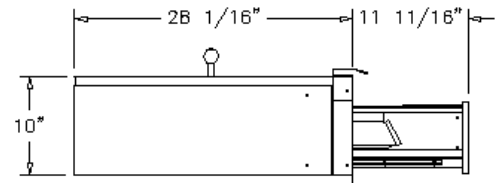
FRONT VIEW



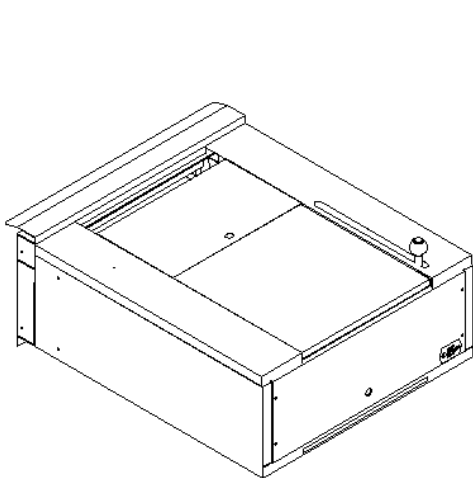
TOP VIEW



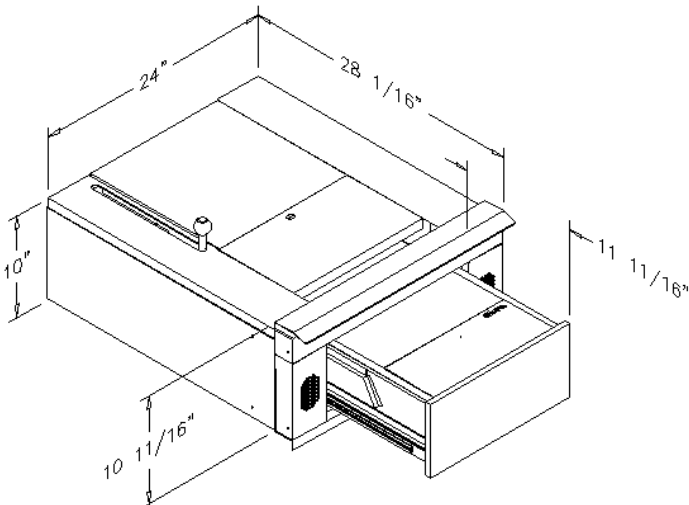
SIDE VIEW



| Model | Overall Size | | | Frame Face | | Transfer Area | | | Wall Opening | | Wt. | Features |
|--------|--------------|-----|----------|------------|-----|---------------|--------|---------|--------------|---------|----------|------------------------|
| | W | H | L | W | H | W | H | L | W | H | | |
| 670330 | 24" | 10" | 28 1/16" | 26" | 11" | 13 3/4" | 6 1/8" | 10 3/8" | 24 1/4" | 10 1/4" | 120 lbs. | Pre Wired Speaker Only |
| 670331 | 24" | 10" | 28 1/16" | 26" | 11" | 13 3/4" | 6 1/8" | 10 3/8" | 24 1/4" | 10 1/4" | 128 lbs. | With Intercom System |



OPERATOR SIDE



CUSTOMER SIDE

